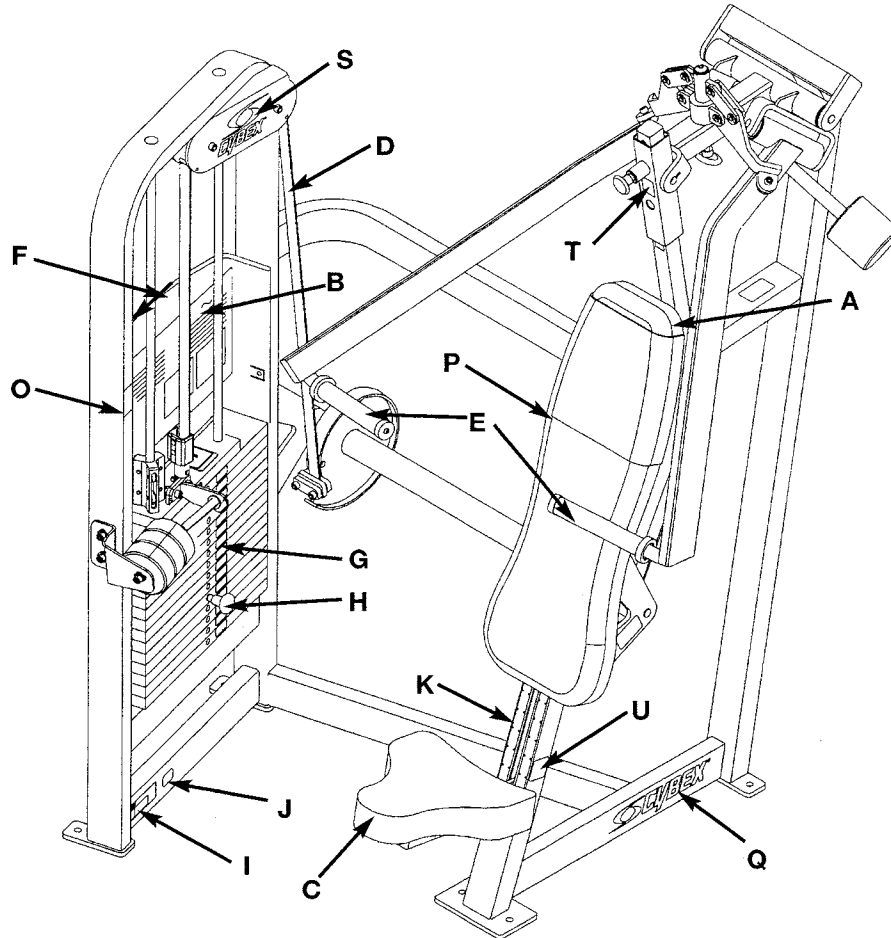


INCLINE PRESS - DUAL AXIS

PRODUCT NO. 4512

PARTS LIST

Note: Item D - Weight Stack Belt = 85" Long
Item D - Rear Belt = 41" Long



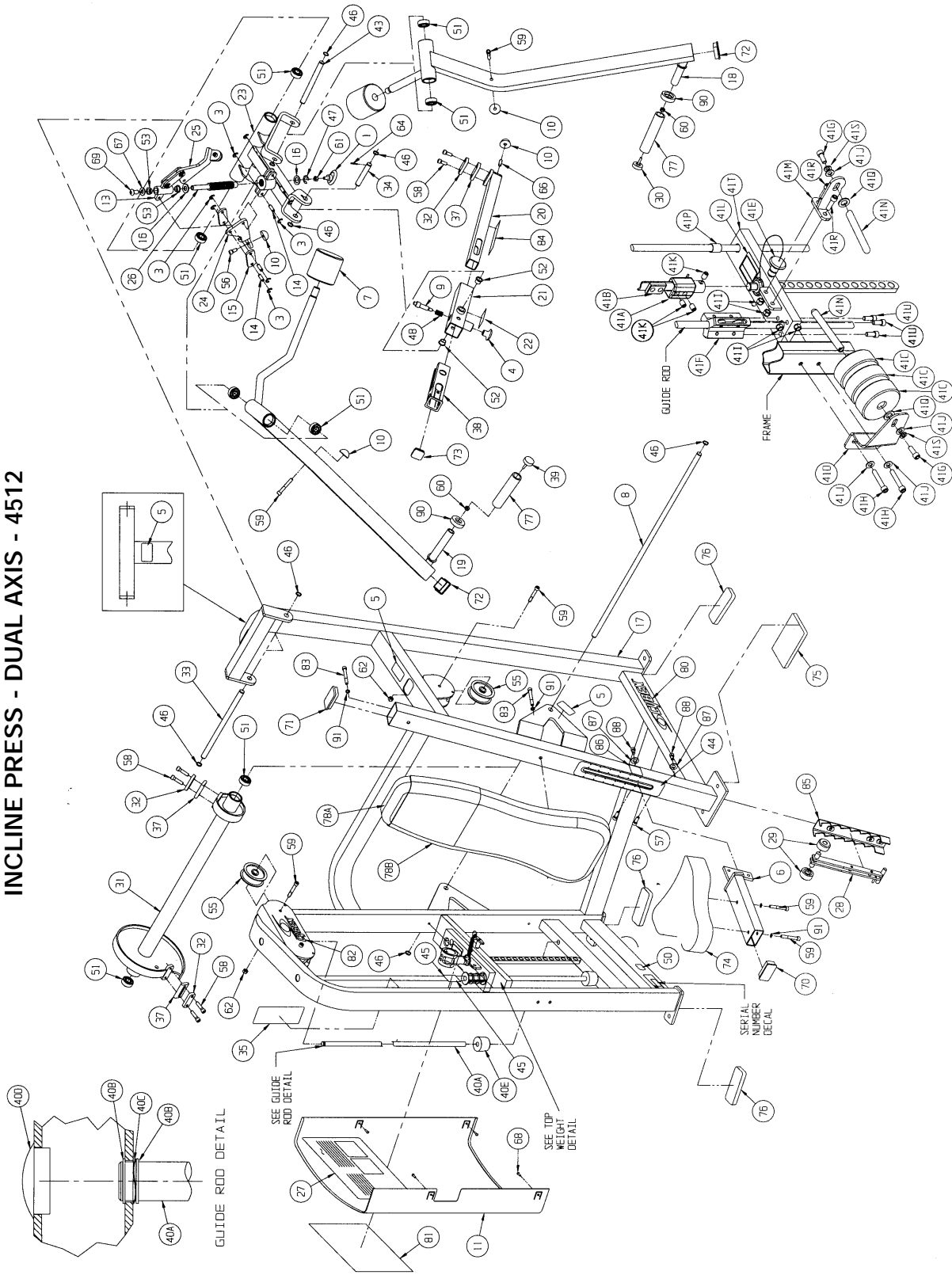
See exploded-view diagram for items:
L (#5), M (#22), N (#41), O (#45), R (#81) and U (#86).

DESCRIPTION	PART NO.	DESCRIPTION	PART NO.
A. Back Cushion with/Wear Cover	4800-103	M. Caution Decal	4510-321
B. Placard Decal	4512-598	N. Caution Decal	4605-424
C. Seat Cushion	4800-026	O. Caution Decal	5221-319
D. Belt	GB000202	P. Wear Cover	██████████
E. Grip 6" Long	4605-500	Q. Cybex Decal Bik/Plm ...	3900-390
F. Warning Decal	4605-381	Q. Cybex Decal Wht/Wht ..	3900-415
G. Weight Plate Decal	4605-388	R. Cybex Decal Bik/Plm ...	3900-391
H. Weight Selector Pin	BH030207	R. Cybex Decal Wht/Wht...	3900-419
I. Serial Number Decal		S. Cybex Decal Bik/Plm ...	3900-423
J. Patent Decal	CM000211	S. Cybex Decal Wht/Wht ..	3900-424
K. Seat Adjustment Decal...	5221-316	T. Adjusting Decal	4511-309
L. Caution Decal	4000Y316	U. Caution Decal	4520-362

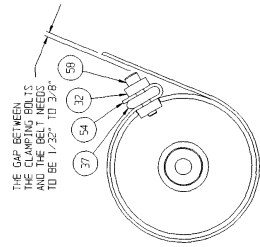
4512 - Incline Press - Dual Axis

ITEM	QTY	PART NO.	DESCRIPTION	ITEM	QTY	PART NO.	DESCRIPTION
1	1	PP460012	Knob	41 R	2	JC702820	SHCS .375-16 x 1.25
2			Removed	41 S	2	HS348300	Split Lockwasher .375
3	12	08017	Retaining Ring .375	41 T	1	4700-238	Top Weight
4	1	11040-440	Cybex Knob	41 U	2	HC702816	SHCS .375-16 x .875
5	3	4000Y316	Caution Decal	41	1	4701-302	VR2 Weight Stack Instr (not shown)
6	1	4505-207	Seat	43	2	5220-320	Pivot Shaft 7.06
7	2	4505-318	Counterweight	44	1	5221-316	Seat Adjustment Decal
8	1	4505-327	Pivot Shaft 35.72	45	1	5221-319	Caution Decal
9	1	4505-329	Detent Pin	46	10	BR030210	Retaining Ring 17mm
10	5	4505-331	Bumper 1.50 Dia	47	1	BR030217	Retaining Ring .750 Ext
11	1	4505-432	Guard	48	1	BS070201	Com Spring .56 x .66 x 1.50 L
12	1	51198	Strenght Warranty Sheet (not shown)	49			Removed
13	1	4507-201	Slide	50	1		Removed
14	6	4507-301	Pin	51	8	FB030232	Radial Brg 17 mm ID Ext Race
15	4	4507-302	Link Bar	52	2	FB130211	Flange Brg17 mm x 19 mm 12 mm
16	2	4507-310	Flat Washer .647 x 1.25 x .105 T	53	2	FB130212	Flange Brg
17	1	4511-201	Frame	54 A	85.0"	GB000202	Weight Stack Belt .95 wide
18	1	4510-202	Arm (Left Hand)	54 B	41.0"	GB000202	Rear Belt .95 wide
19	1	4510-203	Arm (Right Hand)	55	3	GP000209	Pulley Assembly 3.50
20	1	4511-203	Adjusting Tube (Inner)	56	2	HC702815	SHCS .375-16 x .750
21	1	4510-205	Adjusting Tube (Outer)	57	2	HC702817	SHCS .375-16 x 1.00
22	1	4510-321	Caution Decal	58	6	HC702822	SHCS .375-16 x 1.50
23	1	4512-201	Bearing Housing	59	7	HC702830	SHCS .375-16 x 2.50
24	1	4512-203	Stop (Right Hand)	60	2	HF449063	Connector Insert .75 x .25-20
25	1	4512-204	Stop (Left Hand)	61	1	HN704000	Hex Nut .375-16
26	1	4512-300	Adjustment Screw	62	3	HN704901	Nylon Locknut .375-16
27	1	4512-598	Placard Decal	63	1	HN784000	Hex Nut .500-13
28	1	4520-212	Seat Roller	64	1	HP266717	Spiral Pin .125 x 1.00
29	2	4520-331	Roller	65			Removed
30			Removed	66	1	HP707017	Stud .375-16 x 1.00
31	1	4511-202	Cam	67	1	HS387700	Washer .375 SAE
32	3	4605-300	Belt Clamp	68	4	HT102214	Tap Screw #10-12 x .625 A (Phil)
33	1	4605-334	Pivot Shaft 13.06	69	1	JC780417	BHSCS .500-13 x 1.00
34	1	4605-373	Pivot Shaft 4.06	70	1	PP090202	Plastic Insert 1.5 x 3.0 11 G
35	1	4605-381	Warning Decal	71	1	PP090206	Plastic Insert
36	1	4605-388	Weight Plate Decal 10-290	72	2	PP090210	Plastic Insert 2.00 Sq x 10-14 G
37	3	4605-394	Belt Clamp	73	1	PP090211	Plastic Insert 1.50 Sq x 10-14 G
38	1	4605-512	Plastic Insert 7.94	74	1	4800-026	Seat Cushion
39	2	4605-550	Plug .250-20 large	75	1	PR070002	Foot Pad 4.00 x 7.00
40	1	4701-021	Weight Stack Guide Rod Set	76	3	PR070003	Foot Pad 2.00 x 5.25
40 A	2	4505-319	Weight Stack Guide Rod	77	2	4605-500	Grip 6" Long
40 B	4	BR030214	Retaining Ring .625	78 A	1	4800-009	Back Cushion w/Wear Cover
40 C	2	HS407100	Spring Washer .65 x .79 x .062T	78 B	1	4800-092	Wear Cover
40 D	2	PN660200	Plastic Insert 1.00 Dia 11G	79			Not Used
40 E	2	PR060005	Weight Bumper	80			Removed 3/03
41	1	4701-031	Sliding Increment Weight Set	80	1	3900-390	Cybex Decal 1.57 Horiz. Blk/Plm
41 A	1	11040-216	Belt Clamp	80	1	3900-415	Cybex Decal 1.57 Horiz. Wht/Wht
41 B	1	11040-301	Belt Clamp Insert	81			Removed 3/03
41 C	3	4605-390	Increment Weight	81	1	3900-391	Cybex Decal 11.37 Horiz. Blk/Plm
41 D			Removed 3/03	81	1	3900-419	Cybex Decal 11.37 Vert. Wht/Wht
41 E	1	SH030207	Weight Selector Pin	82	1	3900-423	Cybex Decal 4.85 Vert. Blk/Plm
41 F	1	FB130208	Bearing Sleeve .68 x .81 1.00 L	82	1	3900-424	Cybex Decal 4.85 Vert. Wht/Wht
41 G	4	HC702817	SHCS .375-16 x 1.00	82			Removed 3/03
41 H	2	HC702828	SHCS .375-16 x 2.25	83	2	HC702834	SHCS .375-16 x 3.00
41 I	4	HN704901	Nylon Locknut .375-16	84	1	4511-309	Adjusting Decal
41 J	4	HS347600	Washer, SAE .375	85	1	4520-213	Bracket
41 K	3	HY740000	Set Screw .375-16 x .25 Cup Pt	86	1	4520-362	Caution Decal
41 L	1	4605-424	Caution Decal	87	2	HS347700	Washer USS .375
41 M	1	4700-240	Weight Mount	88	2	JC702812	SHCS .375-16 x .50
41 N	2	4700-318	Increment Weight Rod	89	14	4000C101	Stack Weight 4 x 18
41 O	1	4700-319	Frame Mount Increment Weight	90	2	11090-376	Handle Grip Ring
41 P	2	4701-001	Top Weight Guide	90	3	JS347400	Lockwasher Int Tooth .375
41 Q	2	4700-321	Rubber Washer				

INCLINE PRESS - DUAL AXIS - 4512

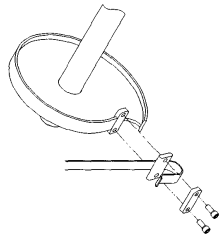


TOP WEIGHT DETAIL

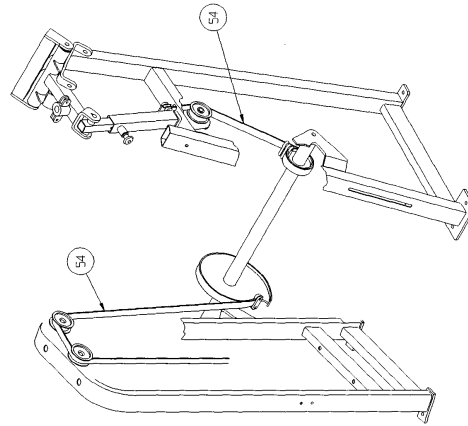
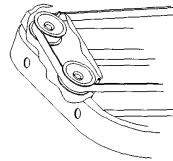


THE GAP BETWEEN THE CLAMPING BOLTS MUST BE ADJUSTED TO BE 1/32" TO 3/8"

BELT CLAMPING DETAIL



BELT ROUTING DETAIL



BELT ROUTING DETAIL